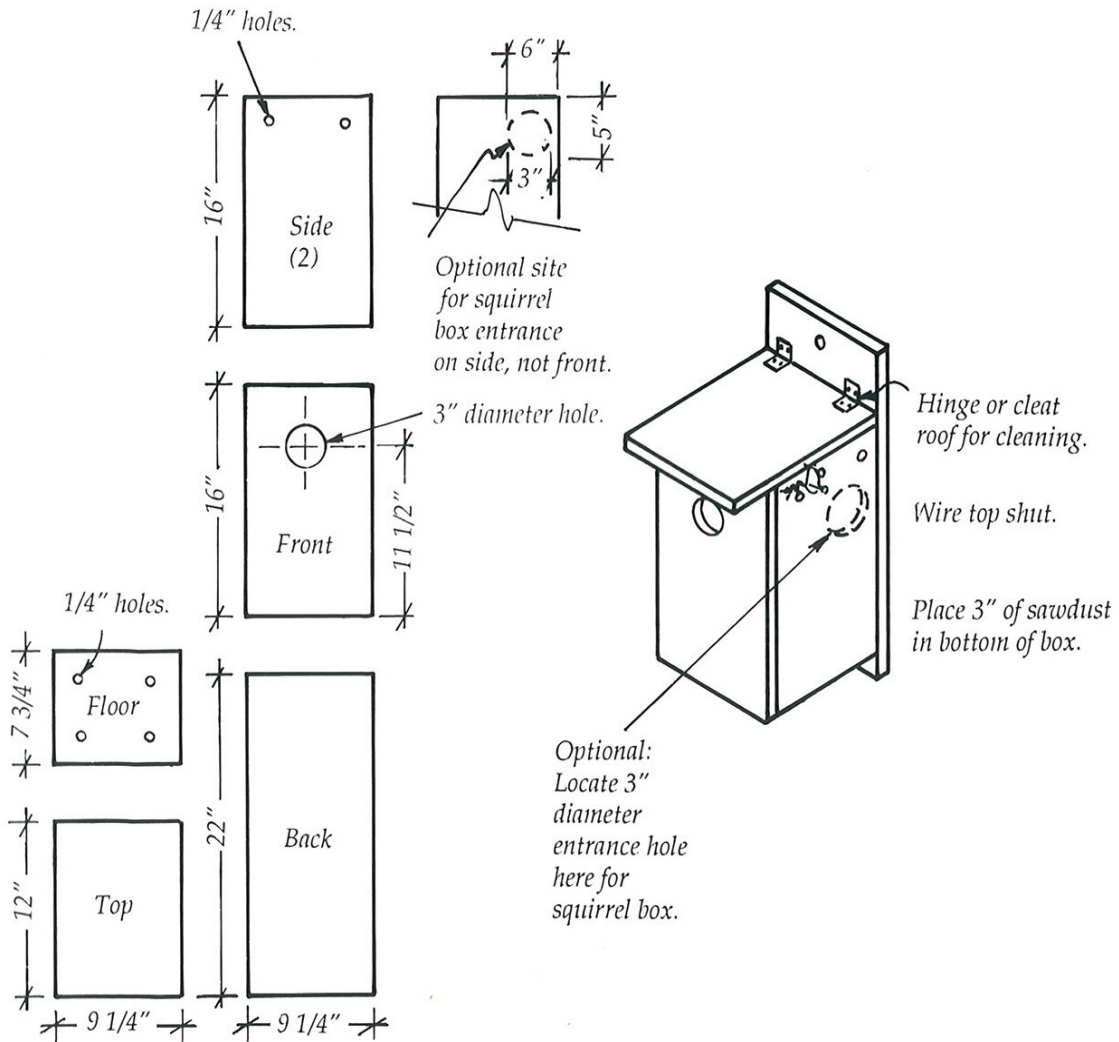
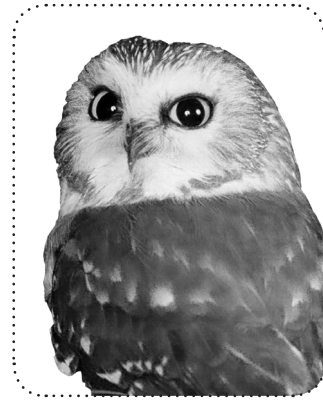


Nest Box Plan #1:

Suitable for Eastern Screech Owls,
Northern Saw-whet Owls, Boreal
Owls, or American Kestrels



Lumber: One 1" x 10" x 8' 0"

