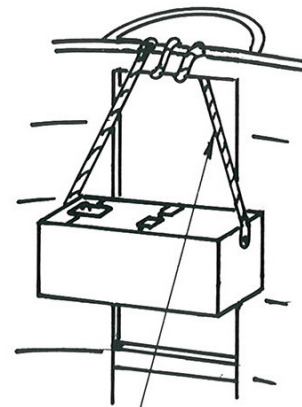
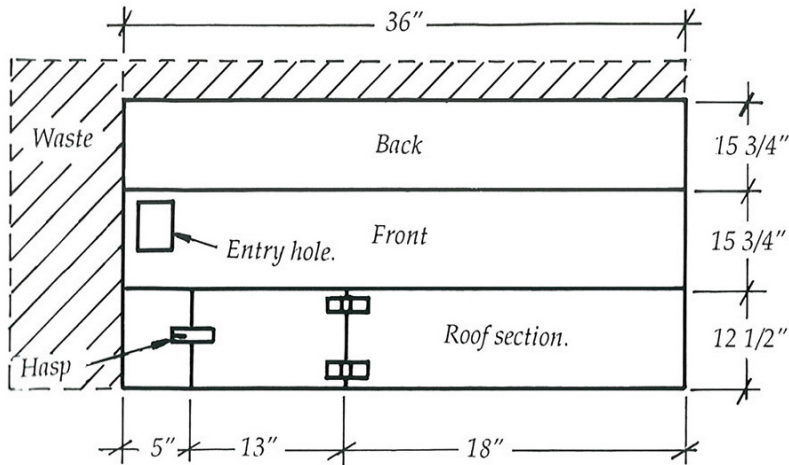
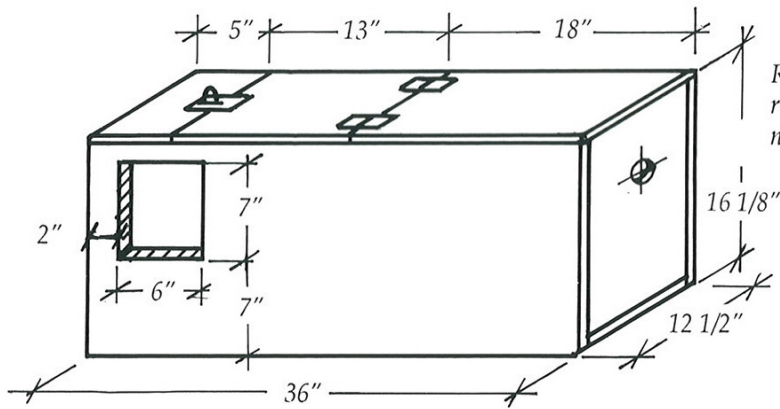


Nest Box Plan #3:

Suitable for Barn Owls



Rope diameter: 1/2" nylon or marine rope, 10 feet long. Use 6d or 7d box nails, cement coated.



Materials:
 One 4' x 8' x 5/8" exterior plywood. See above.
 One 1" x 12" pine board x 6' long. See below.

